

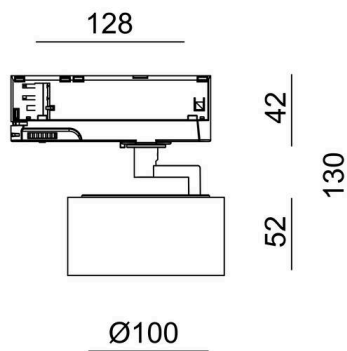
MAGIS

222-00154

MAGIS TRACK SPOTLIGHT WITH 3 PH ADAPTER made of aluminium, white, similar to RAL 9016, high-efficiently vacuum deposited synthetic reflector beam 36°, light output direct, UGR <22, swiveling 350°, tilting 90°, with converter, max. 500mA, dimmability: on/off, IP20



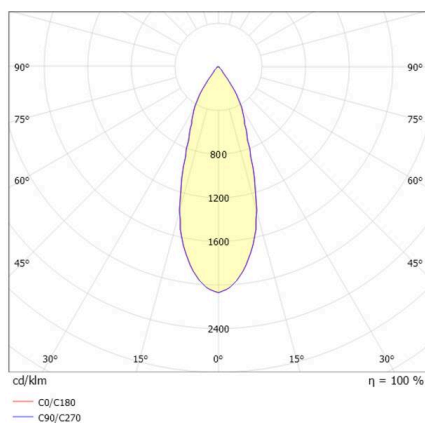
SKETCH



TECHNICAL DETAILS

| | |
|---------------------------|--------------------------------------|
| Light source | LED |
| System performance [W] | 16 |
| Luminous flux [lm] | 1280 |
| Current sec. [mA] | 500 |
| Colour temperature | 3000K |
| CRI | >90 |
| UGR | <22 |
| Optics | vacuum deposited synthetic reflector |
| Converter | with converter |
| Dimmability | on/off |
| Light emission area | direct |
| Beam angle | 36° |
| Voltage | 220-240V 50/60Hz |
| Height [mm] | 130 |
| Diameter [mm] | 100 |
| IP protection class | IP20 |
| IP protection class | protection cl. II |
| IK value | IK02 |
| Material | aluminium |
| Colour of body | white |
| RAL | 9016 |
| Lifetime [h] | L80 B10 50 000 |
| Energy efficiency class | F |
| Number of luminaires B16A | 48 |
| Net weight [kg] | 0.50 |
| EAN number | 9010870561519 |

LIGHT DISTRIBUTION CURVE



Energy label



The values are rated values. Power and luminous flux are initially subject to a tolerance of +/- 10%.
Colour temperature tolerance: +/- 150 K. The values apply to an ambient temperature of 25°C unless otherwise specified.