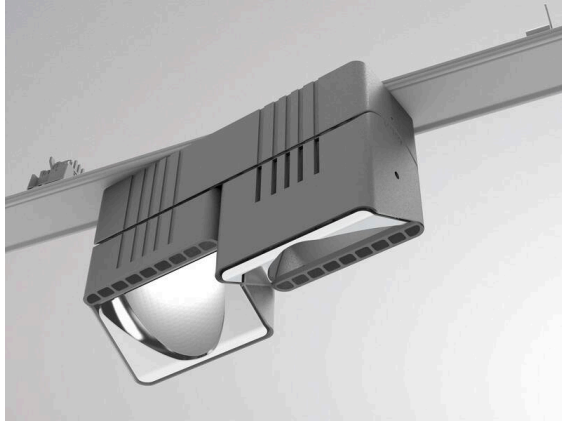


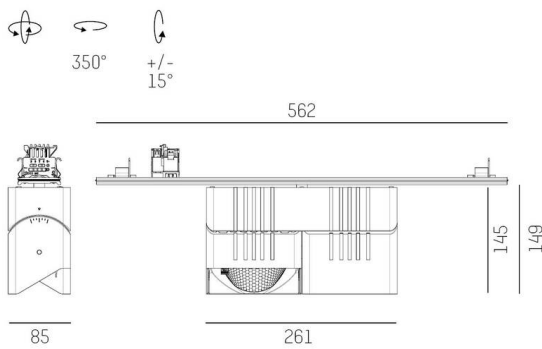
TRAIL

610-1352031224440

TRAIL ARTIS 2 MATRIX MOUNTING RAIL LIGHT INSERT made of aluminium, grey, similar to RAL 9006,high-efficiently vacuum deposited synthetic reflector beam double asymmetric, light output direct, swiveling 350°, tilting 30°, with converter, max. 1050mA, dimmability: not dimmable, through wiring 7-polig, adapter/ceiling base grey, IP20 with the option of attaching the Lightguider for lighting the 3rd level and 3-level electrically adjustable floor matrix



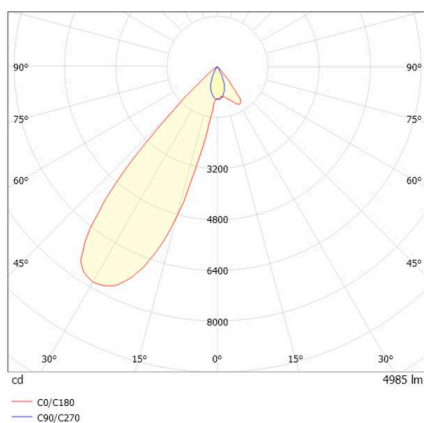
SKETCH



TECHNICAL DETAILS

|                                  |                                      |
|----------------------------------|--------------------------------------|
| Light source                     | LED                                  |
| System performance [W]           | 80                                   |
| Luminous flux [lm]               | 9970                                 |
| Current sec. [mA]                | 1050                                 |
| Colour temperature               | 4000K                                |
| CRI                              | >90                                  |
| Optics                           | vacuum deposited synthetic reflector |
| Converter                        | with converter                       |
| Dimmability                      | not dimmable                         |
| Light emission area              | direct                               |
| Beam angle                       | double asymmetric                    |
| Voltage                          | 220-240V 50/60Hz                     |
| Through wiring                   | 7-polig                              |
| Length [mm]                      | 564,9                                |
| Width [mm]                       | 85                                   |
| Height [mm]                      | 149                                  |
| IP protection class              | IP20                                 |
| IP protection class              | protection cl. I                     |
| Material                         | aluminium                            |
| Colour of body                   | grey                                 |
| RAL                              | 9006                                 |
| Colour of adapter / ceiling base | grey                                 |
| Lifetime [h]                     | L80 B10 50 000                       |
| Energy efficiency class          | D                                    |
| Number of luminaires B16A        | 12                                   |
| Net weight [kg]                  | 2.02                                 |
| EAN number                       | 9010870134959                        |

LIGHT DISTRIBUTION CURVE



Energy label



The values are rated values. Power and luminous flux are initially subject to a tolerance of +/- 10%.  
Colour temperature tolerance: +/- 150 K. The values apply to an ambient temperature of 25°C unless otherwise specified.