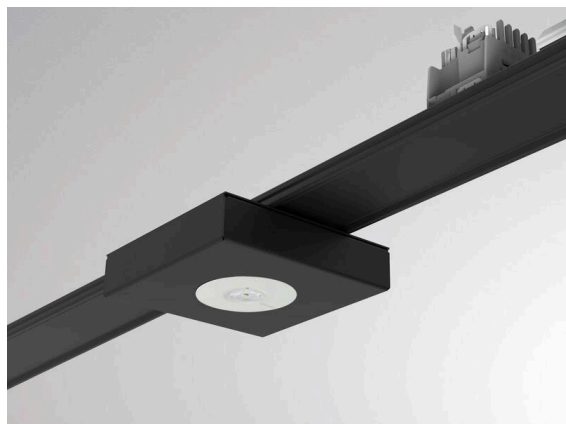


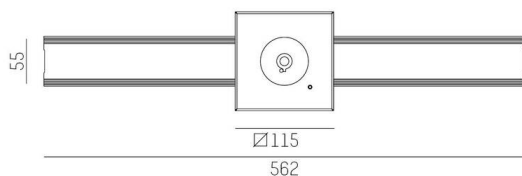
TRAIL

610-0282002000060

TRAIL LIGHT INSERT EMERGENCY LIGHT FUNCTIONAL INSERT made of steel sheet, black, similar to RAL 9005, high quality plastic lens beam asymmetric, light output direct, with converter, dimmability: not dimmable, through wiring 11-polig, IP20 lighting duration: 3h



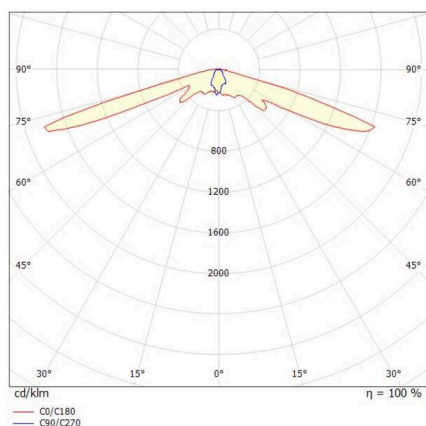
SKETCH



TECHNICAL DETAILS

System performance [W]	6
Luminous flux [lm]	320
Colour temperature	6000K
CRI	>80
Optics	high quality plastic lens
Converter	with converter
Dimmability	not dimmable
Light emission area	direct
Beam angle	asymmetric
Voltage	220-240V 50/60Hz
Through wiring	11-polig
Length [mm]	565
Width [mm]	58
Height [mm]	26
Diameter [mm]	115
IP protection class	IP20
IP protection class	protection cl. I
Material	steel sheet
Colour of body	black
RAL	9005
Lifetime [h]	L80 B10 50 000
Net weight [kg]	1.42
EAN number	9010506722239

LIGHT DISTRIBUTION CURVE



Energy label



The values are rated values. Power and luminous flux are initially subject to a tolerance of +/- 10%.
Colour temperature tolerance: +/- 150 K. The values apply to an ambient temperature of 25°C unless otherwise specified.