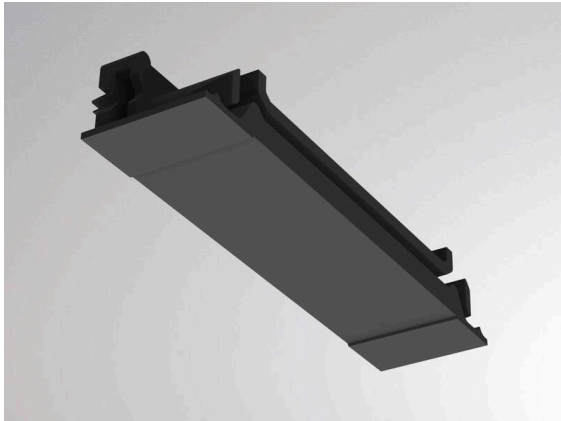


## TRAIL

610-0013000000060

TRAIL SYSTEM ACCESSORY IP54 SILIKONDICHTUNG aus Kunststoff, schwarz, Dimmbarkeit: nicht dimmbar, IP54, Set 2 Stk.



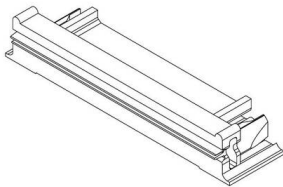
## TECHNICAL DETAILS

Dimmability	not dimmable
IP protection class	IP54
Material	synthetic
Colour of body	black
Net weight [kg]	0.01
EAN number	9010506982701



Energy label

## SKETCH



The values are rated values. Power and luminous flux are initially subject to a tolerance of +/- 10%.  
Colour temperature tolerance: +/- 150 K. The values apply to an ambient temperature of 25°C unless otherwise specified.