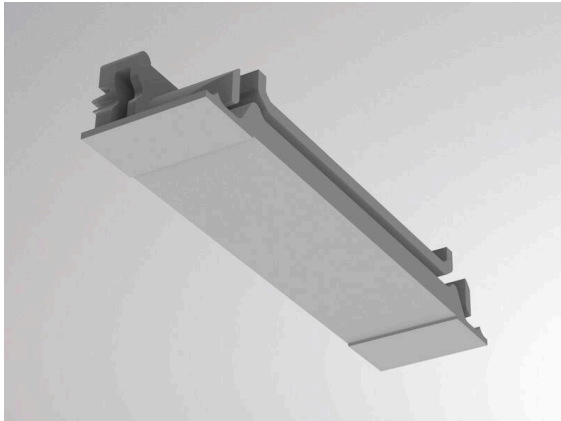


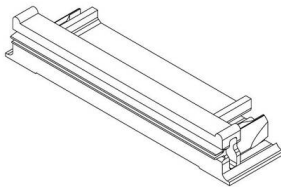
TRAIL

610-0013000000050

TRAIL SYSTEM ACCESSORY IP54 SILIKONDICHTUNG aus Kunststoff, weiß, Dimmbarkeit: nicht dimmbar, IP54, Set 2 Stk.,



SKETCH



TECHNICAL DETAILS

Dimmability	not dimmable
IP protection class	IP54
Material	synthetic
Colour of body	white
Net weight [kg]	0.01
EAN number	9010506347999



Energy label



The values are rated values. Power and luminous flux are initially subject to a tolerance of +/- 10%.
Colour temperature tolerance: +/- 150 K. The values apply to an ambient temperature of 25°C unless otherwise specified.