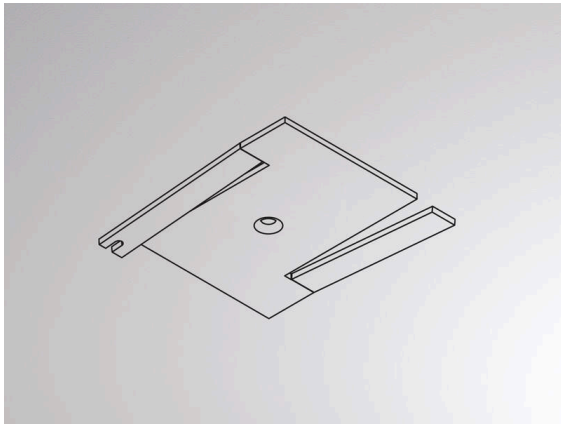


LOG IN/LOG OUT 2.1**728-6990000**

profile mounting brackets for 3-phase track (only surface mounted track), for installation of SHOPSTAR spotlights, incl. installation screw M4x16din965a, distance: each 1000mm 1 set

**TECHNICAL DETAILS**

Dimmability	not dimmable
IP protection class	IP20
Net weight [kg]	0.04
EAN number	9010506147193



Energy label



The values are rated values. Power and luminous flux are initially subject to a tolerance of +/- 10%.
Colour temperature tolerance: +/- 150 K. The values apply to an ambient temperature of 25°C unless otherwise specified.