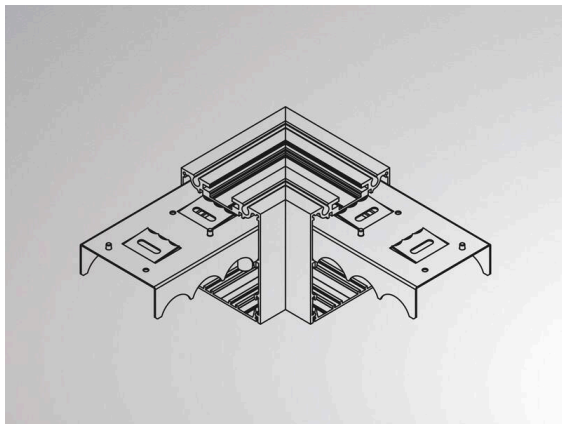


LOG IN/LOG OUT 2.1

728-190000000800

90° junction in board, galvanised



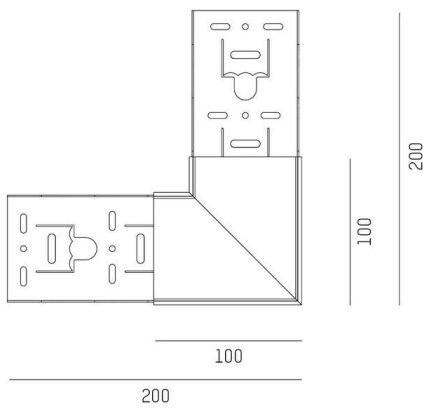
TECHNICAL DETAILS

Dimmability	not dimmable
IP protection class	IP20
Colour of body	aluminium anodised
Net weight [kg]	1.09
EAN number	9010506147261



Energy label

SKETCH



The values are rated values. Power and luminous flux are initially subject to a tolerance of +/- 10%.  
 Colour temperature tolerance: +/- 150 K. The values apply to an ambient temperature of 25°C unless otherwise specified.