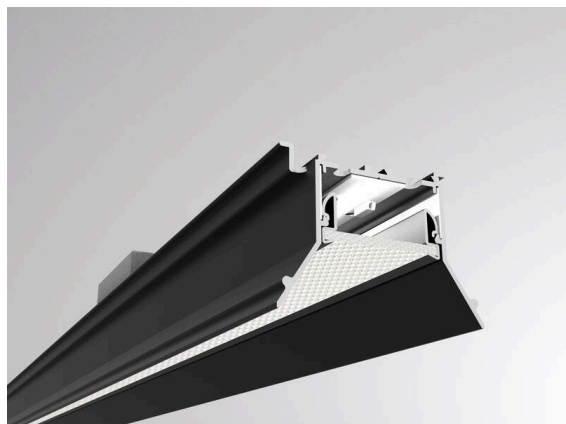


LOG IN/LOG OUT 2.1

728-60203321306d

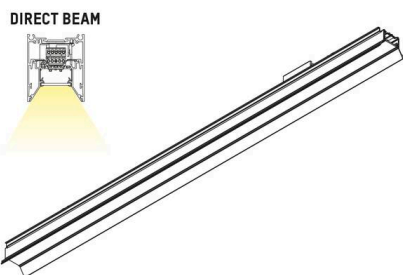
LOG 2.1 SYSTEM EINSATZ BINA OFFICE LIGHT INSERT made of aluminium, black, similar to RAL 9005, microprismatic PMMA cover for perfect anti-glare light output direct, UGR <19, with converter, max. 950mA, dimmability: DALI, through wiring 3x1,5mm² + 2x0,75mm², IP20



TECHNICAL DETAILS

|                           |                      |
|---------------------------|----------------------|
| Light source              | LED                  |
| System performance [W]    | 26                   |
| Luminous flux [lm]        | 2060                 |
| Current sec. [mA]         | 950                  |
| Colour temperature        | 2700K                |
| CRI                       | >80                  |
| UGR                       | <19                  |
| Optics                    | microprismatic cover |
| Converter                 | with converter       |
| Dimmability               | DALI                 |
| Light emission area       | direct               |
| Voltage                   | 220-240V 50/60Hz     |
| Through wiring            | 3x1,5mm² + 2x0,75mm² |
| Length [mm]               | 844                  |
| IP protection class       | IP20                 |
| IP protection class       | protection cl. I     |
| IK value                  | IK06                 |
| Material                  | aluminium            |
| Colour of body            | black                |
| RAL                       | 9005                 |
| Lifetime [h]              | L80 B10 50 000       |
| Energy efficiency class   | D                    |
| Number of luminaires B16A | 50                   |
| Net weight [kg]           | 1.74                 |
| EAN number                | 9010506088984        |

SKETCH



Energy label



The values are rated values. Power and luminous flux are initially subject to a tolerance of +/- 10%.  
 Colour temperature tolerance: +/- 150 K. The values apply to an ambient temperature of 25°C unless otherwise specified.