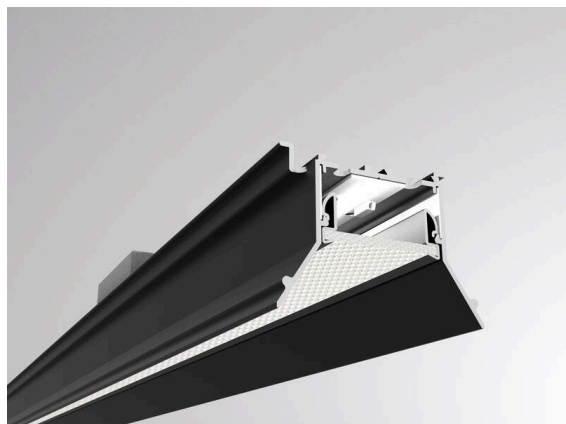


LOG IN/LOG OUT 2.1

728-60203321906d

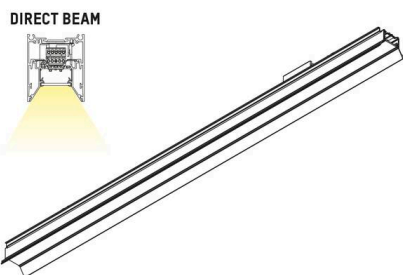
LOG 2.1 SYSTEM EINSATZ BINA OFFICE LIGHT INSERT made of aluminium, black, similar to RAL 9005, microprismatic PMMA cover for perfect anti-glare light output direct, UGR <19, with converter, max. 950mA, dimmability: DALI, through wiring 3x1,5mm<sup>2</sup> + 2x0,75mm<sup>2</sup>, IP20



TECHNICAL DETAILS

Light source	LED
System performance [W]	26
Luminous flux [lm]	2120
Current sec. [mA]	950
Colour temperature	3000K
CRI	>80
UGR	<19
Optics	microprismatic cover
Converter	with converter
Dimmability	DALI
Light emission area	direct
Voltage	220-240V 50/60Hz
Through wiring	3x1,5mm <sup>2</sup> + 2x0,75mm <sup>2</sup>
Length [mm]	844
IP protection class	IP20
IP protection class	protection cl. I
IK value	IK06
Material	aluminium
Colour of body	black
RAL	9005
Lifetime [h]	L80 B10 50 000
Energy efficiency class	D
Number of luminaires B16A	50
Net weight [kg]	1.74
EAN number	9010506089271

SKETCH



Energy label



The values are rated values. Power and luminous flux are initially subject to a tolerance of +/- 10%.  
 Colour temperature tolerance: +/- 150 K. The values apply to an ambient temperature of 25°C unless otherwise specified.