

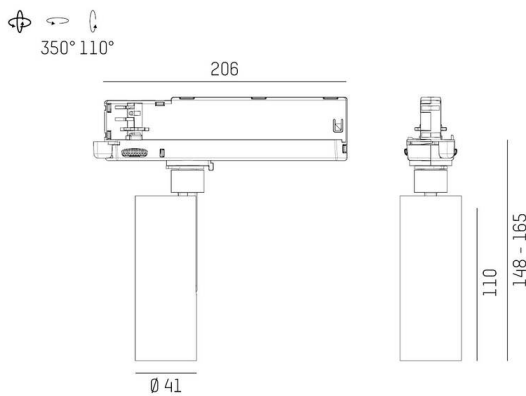
ROGGA

147-0102111240496660

ROGGA S X-CHANGE TRACK TRACK SPOTLIGHT WITH 3 PH ADAPTER made of aluminium, black, similar to RAL 9005, decor black,high-efficiently vacuum deposited aluminium reflector beam 50°, light output direct, swiveling 350°, tilting 110°, with exchangeable converter, max. 300mA, dimmability: not dimmable, adapter/ceiling base black, IP20 with exchange module X-Change



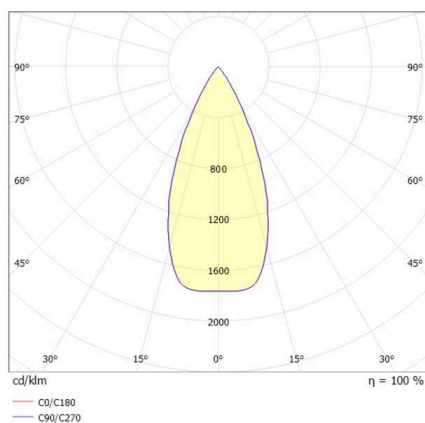
SKETCH



TECHNICAL DETAILS

Light source	LED
Current sec. [mA]	300
Colour temperature	3000K
CRI	PREMIUM>90
Optics	vacuum deposited aluminium reflector
Converter	with exchangeable converter
Dimmability	not dimmable
Light emission area	direct
Beam angle	50°
Voltage	220-240V 50/60Hz
Length [mm]	110
Diameter [mm]	41
IP protection class	IP20
IP protection class	protection cl. II
Material	aluminium
Colour of body	black
RAL	9005
Colour of adapter / ceiling base	black
Colour of decor	black
Lifetime [h]	L80 B10 50 000
Energy efficiency class	E
Number of luminaires B16A	50
Net weight [kg]	0.54
EAN number	9010870883048

LIGHT DISTRIBUTION CURVE



Energy label



The values are rated values. Power and luminous flux are initially subject to a tolerance of +/- 10%.
Colour temperature tolerance: +/- 150 K. The values apply to an ambient temperature of 25°C unless otherwise specified.