

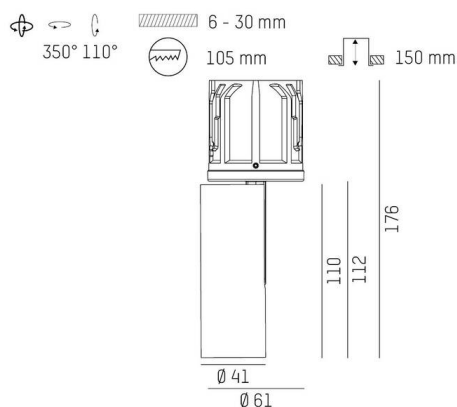
ROGGA

147-0611109240496660

ROGGA S TRIMLESS RD RECESSED SPOTLIGHT made of aluminium, black, similar to RAL 9005, decor black,high-efficiently vacuum deposited aluminium reflector beam 50°, light output direct, swiveling 350°, tilting 110°, without converter, max. 300mA, dimmability: see converter, adapter/ceiling base black, IP20



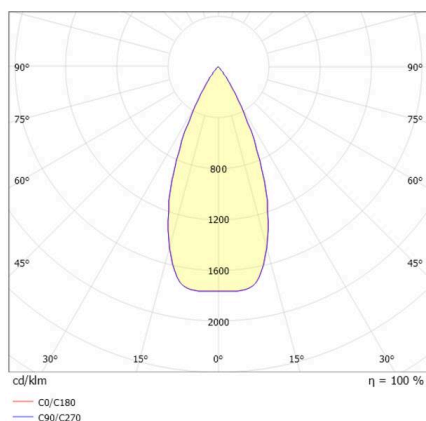
SKETCH



TECHNICAL DETAILS

| | |
|----------------------------------|--------------------------------------|
| Light source | LED 10W |
| System performance [W] | 12 |
| Luminous flux [lm] | 1150 |
| Current sec. [mA] | 300 |
| Colour temperature | 3000K |
| CRI | PREMIUM>90 |
| Optics | vacuum deposited aluminium reflector |
| Converter | without converter |
| Dimmability | see converter |
| Light emission area | direct |
| Beam angle | 50° |
| Length [mm] | 110 |
| Height [mm] | 67 |
| Diameter [mm] | 130 |
| Ceiling cutout [mm] | 105 |
| Ceiling thickness [mm] | 6-30 |
| Mounting depth [mm] | 140 |
| IP protection class | IP20 |
| IP protection class | protection cl. II |
| Material | aluminium |
| Colour of body | black |
| RAL | 9005 |
| Colour of adapter / ceiling base | black |
| Colour of decor | black |
| Lifetime [h] | L80 B10 50 000 |
| Energy efficiency class | E |
| Net weight [kg] | 0.36 |
| EAN number | 9010979134133 |

LIGHT DISTRIBUTION CURVE



Energy label



The values are rated values. Power and luminous flux are initially subject to a tolerance of +/- 10%.
Colour temperature tolerance: +/- 150 K. The values apply to an ambient temperature of 25°C unless otherwise specified.