

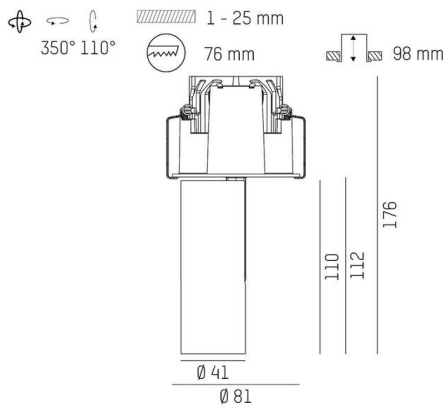
ROGGA

147-0610109240496660

ROGGA S TRIM RD RECESSED SPOTLIGHT made of aluminium, black, similar to RAL 9005, decor black, high-efficiently vacuum deposited aluminium reflector beam 50°, light output direct, swiveling 350°, tilting 110°, without converter, max. 300mA, dimmability: see converter, adapter/ceiling base black, IP20



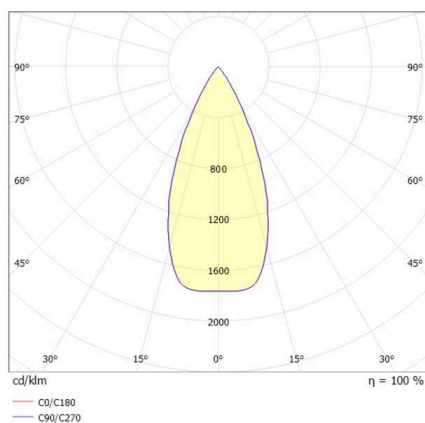
SKETCH



TECHNICAL DETAILS

Light source	LED 10W
System performance [W]	12
Luminous flux [lm]	1150
Current sec. [mA]	300
Colour temperature	3000K
CRI	PREMIUM >90
Optics	vacuum deposited aluminium reflector
Converter	without converter
Dimmability	see converter
Light emission area	direct
Beam angle	50°
Length [mm]	110
Height [mm]	68
Diameter [mm]	81
Ceiling cutout [mm]	76
Ceiling thickness [mm]	1-25
Mounting depth [mm]	98
IP protection class	IP20
IP protection class	protection cl. II
Material	aluminium
Colour of body	black
RAL	9005
Colour of adapter / ceiling base	black
Colour of decor	black
Lifetime [h]	L80 B10 50 000
Energy efficiency class	E
Net weight [kg]	0.48
EAN number	9010979123717

LIGHT DISTRIBUTION CURVE



Energy label



The values are rated values. Power and luminous flux are initially subject to a tolerance of +/- 10%.
Colour temperature tolerance: +/- 150 K. The values apply to an ambient temperature of 25°C unless otherwise specified.