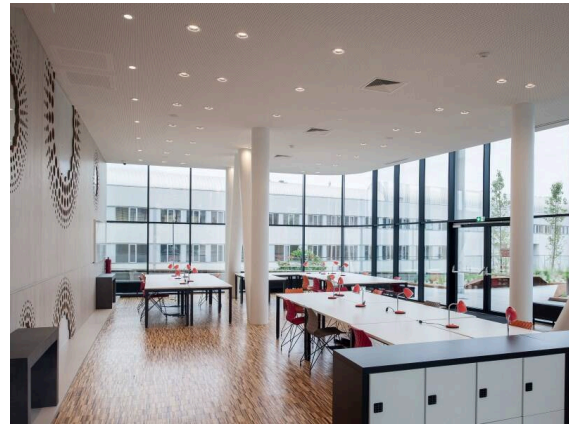


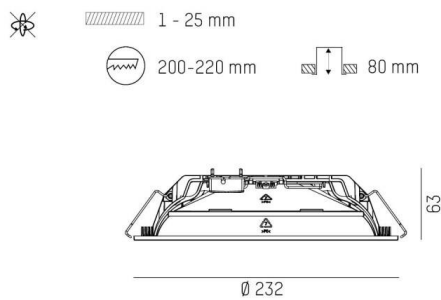
OTIN

227-011423022190050

OTIN XL ROUND PRO R RECESSED DOWNLIGHT made of aluminium, white, similar to RAL 9016, decor Faceted plastic reflector high-gloss, beam Wide beam (BS), light output direct, UGR <22, with converter, max. 300mA, dimmability: not dimmable, through wiring 2,5mm², IP54/IP20 with X-Change light source, replaceable without tools,



SKETCH



TECHNICAL DETAILS

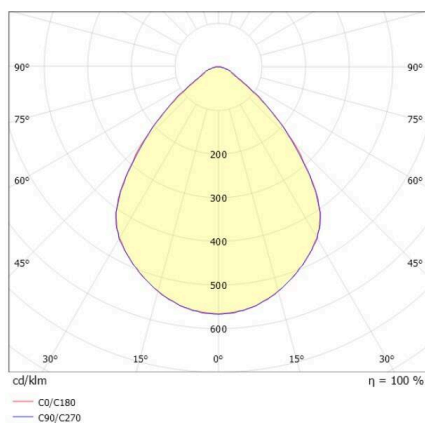
Light source	LED
System performance [W]	12,5
Luminous flux [lm]	2000
Current sec. [mA]	300
Colour temperature	3000K
CRI	>80
UGR	<22
Optics	microprism
Converter	with converter
Dimmability	not dimmable
Light emission area	direct
Beam angle	Wide beam (BS)
Voltage	220-240V AC/DC
Through wiring	2,5mm²

Height [mm]	63
Diameter [mm]	232
Ceiling cutout [mm]	200-220
Ceiling thickness [mm]	1-25
Mounting depth [mm]	80
IP protection class	IP54/IP20
IP protection class	protection cl. II
IK value	IK02

Material	aluminium
Colour of body	white
RAL	9016
Colour of decor	Faceted plastic reflector high-gloss
Lifetime [h]	L90 B10 100 000
Energy efficiency class	C
Number of luminaires B16A	49

Net weight [kg]	0.72
EAN number	9010870912182

LIGHT DISTRIBUTION CURVE



Energy label



The values are rated values. Power and luminous flux are initially subject to a tolerance of +/- 10%.
Colour temperature tolerance: +/- 150 K. The values apply to an ambient temperature of 25°C unless otherwise specified.